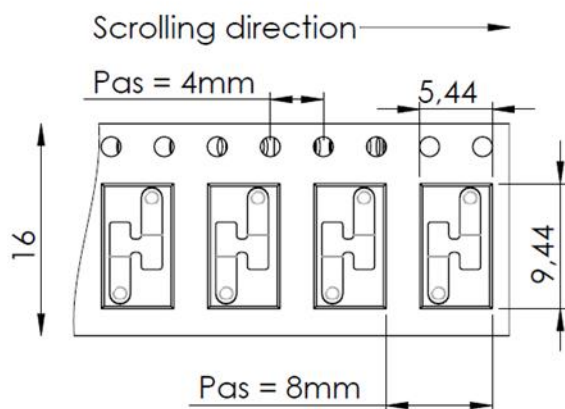
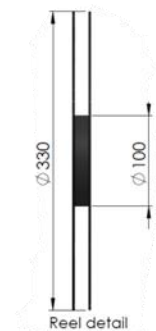
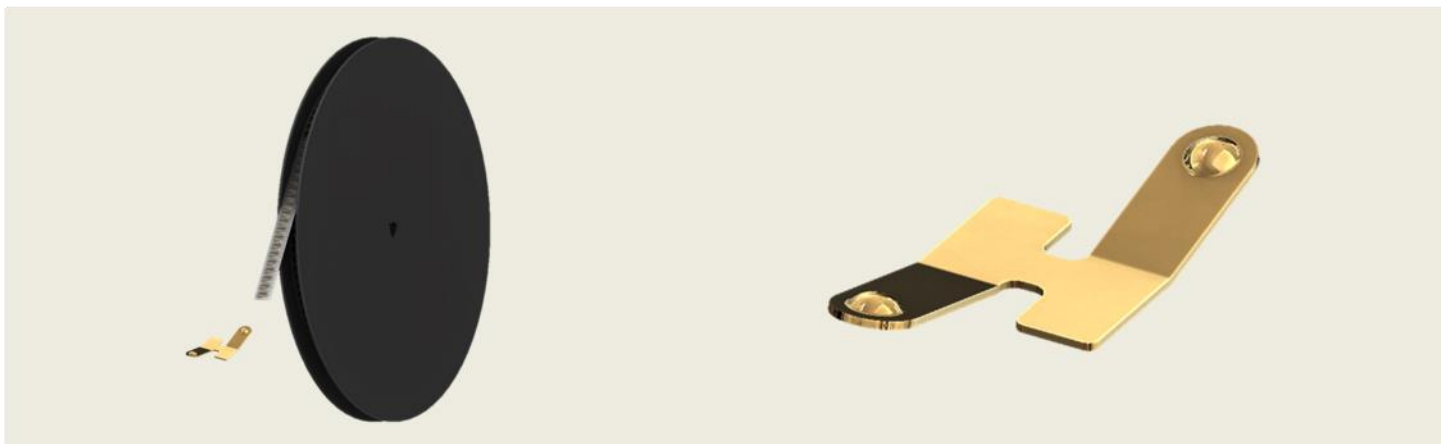
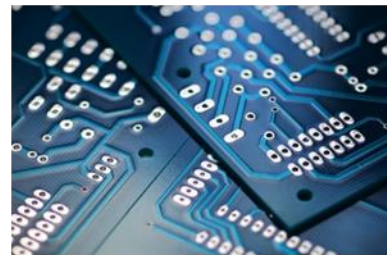
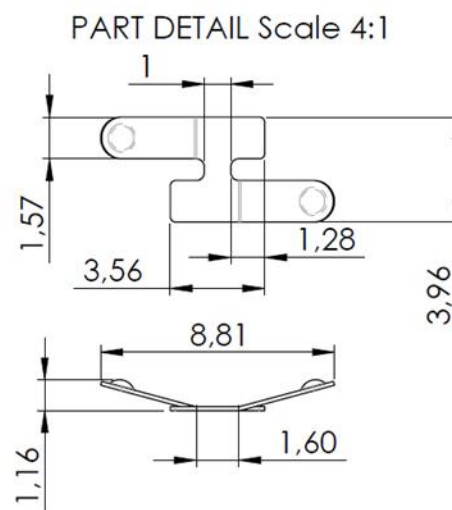


Contact ressort CI



DETAIL VIEW OF CARRIER TAPE
Scale 2:1



PART DETAIL Scale 4:1

MATERIALS AND FINISHES:

- Contact : Inox 1.4310/AISI 301 C1300 (E4)
Gold plated 1.27µm
- Carrier tape : Black conductive PS
- Cover tape : Heat activated PET

PARTS QUANTITY:

3600 max parts per reel


Scale 1:1