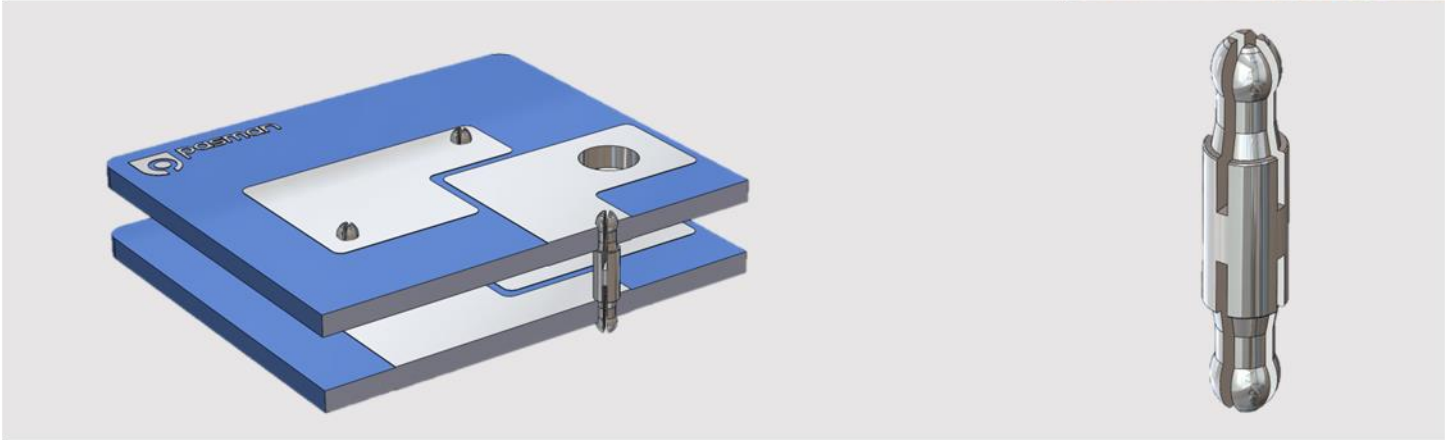
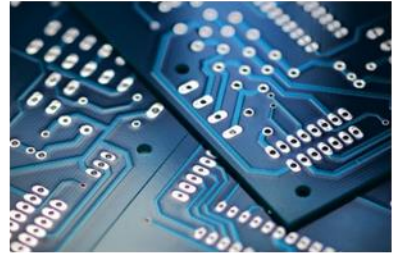
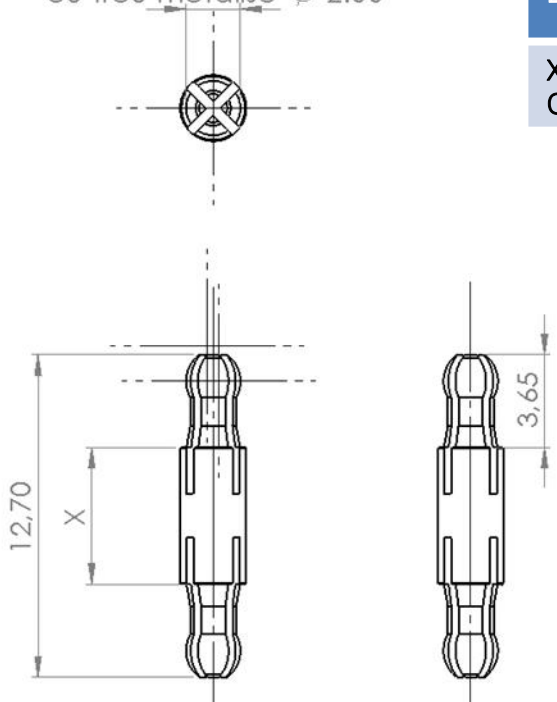


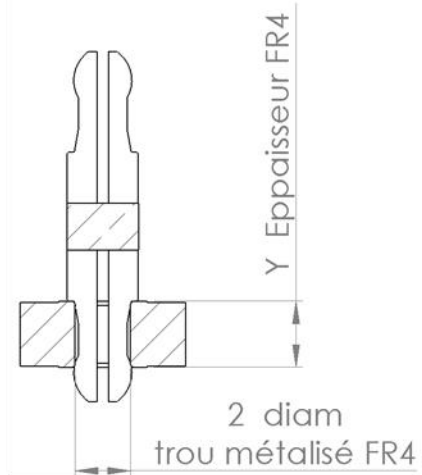
BOARD TO BOARD CONNECTORS



Pour alésage ϕ 2.00
ou trou métallisé ϕ 2.00



Distance Between CI	Thickness CI
X = 5,50–6,00 Can be custom	Y = 2,40 Can be custom



Material : Copper alloy
Plating : Silver (Gold on request)

Product reference: P100 100 160